

"Twist-Lock" Concealed Flange  
(see technical page for detail)

**SPECIFICATION: (Stainless Steel)**

Inside Corner Safety Rail with Twist-Lock concealed flanges. Manufactured by ELCOMA from 18 gauge, type 304, satin finished, stainless steel tubing. 14 gauge stainless steel mounting flange shall be Heliarc welded to the tube to form a single structural unit. Rail shall comply with all applicable federal, provincial and local building and safety codes.

1.25" (32 mm) rail dia.  
1.50" (38 mm) rail dia.

Model # 25-223418ST  
Model # 25-523418ST

(substitute S with K for Knurled grip,  
P for Peened grip, or G for SHUR-GRIP)

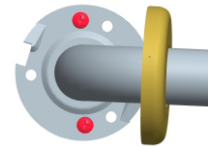
**SPECIFICATION: (Painted Stainless Steel)**

Inside Corner Safety Rail with Twist-Lock concealed flange. Manufactured by ELCOMA from 18 gauge, T ype 304, stainless steel tubing. 14 gauge stainless steel mounting flange shall be Heliarc welded to the tube to form a single structural unit. Rail shall have a polyester powder coating finish. It shall comply with all applicable federal, provincial and local building and safety codes.

1.25" (32 mm) rail dia.	White	Model # 25-263418ST01
1.25" (32 mm) rail dia.	Almond	Model # 25-263418ST02
1.50" (38 mm) rail dia.	White	Model # 25-563418ST01
1.50" (38 mm) rail dia.	Almond	Model # 25-563418ST02

(substitute S for smooth with G for SHUR-GRIP)

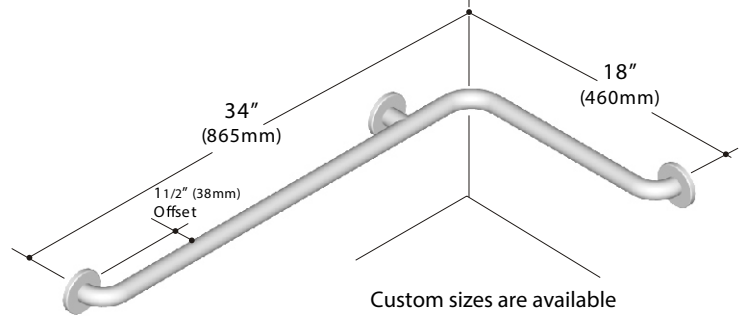
Twist-Lock "T"  
Concealed Flange



# Inside Corner Safety Rails

1.25" dia. (32 mm) or 1.50" dia. (38 mm)  
with Concealed Flanges

Architectural, Commercial, Institutional



Custom sizes are available to suit special requirements.

For painted rails there are more than 25 designer colors available on special request.

