

90 ° Angle Bars with Concealed Flanges

Architectural, Commercial, Institutional

Architectural Products for Barrier Free Living

info@barrierfree.org

877 717 7027

"Twist-Lock" Concealed Flange (see technical page for detail)

SPECIFICATION: (Stainless Steel)

90 ° Angle Bar with post and Twist-Lock concealed flanges. Manufactured by ELCOMA from 18 gauge, type 304, satin finished, stainless steel tubing. Three, 14 gauge stainless steel mounting flanges shall be Heliarc welded to the tube to form a single structural unit. Angle Bar shall comply with all applicable federal, and local building and safety codes.

1.25" (32 mm) bar dia.

Model # 07-22 *ST

1.50" (38 mm) bar dia.

Model # 07-52 *ST (* insert standard size 2416 or 3216)

(substitute S for smooth with K for Knurled grip,
P for Peened grip, or G for SHUR-GRIP)

For opposite orientation substitute Model #7 with Model # 08

SPECIFICATION: (Painted Stainless Steel)

90 ° Angle Bar with post and Twist-Lock concealed flanges. Manufactured by ELCOMA from 18 gauge, Type 304 stainless steel tubing. Three, 14 gauge stainless steel mounting flanges shall be Heliarc welded to the tube to form a single structural unit. Angle Bar shall have a polyester powder coating finish. It shall comply with all applicable federal, and local building and safety codes.

1.25" (32 mm) bar dia. White

Model # 07-26 *ST01

(* insert standard size 2416 or 3216)

1.25" (32 mm) bar dia. Almond

Model # 07-26 *ST02

(substitute S for smooth with G for SHUR-GRIP)

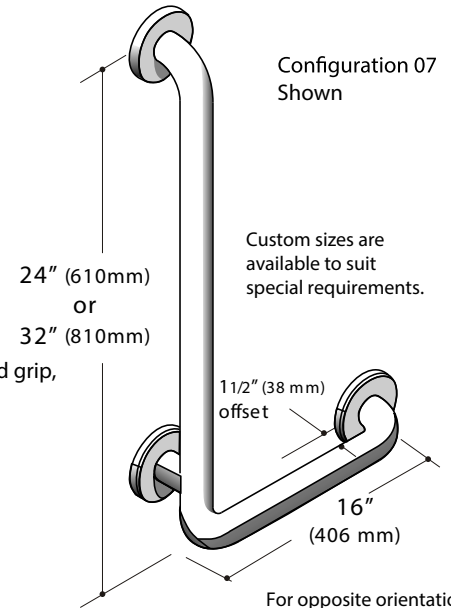
1.50" (38 mm) bar dia. White

Model # 07-56 *ST01

1.50" (38 mm) bar dia. Almond

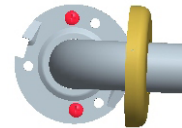
Model # 07-56 *ST02

For opposite orientation substitute Model # 7 with Model # 08



For opposite orientation use Configuration 08

Twist-Lock "T"
Concealed Flange



For opposite orientation substitute Model #7 with Model # 08

