

Wall to Floor Safety Rails with Outrigger

1.25" dia. (32mm) or 1.50" dia. (38mm)

with Concealed Flanges

Architectural, Commercial, Institutional

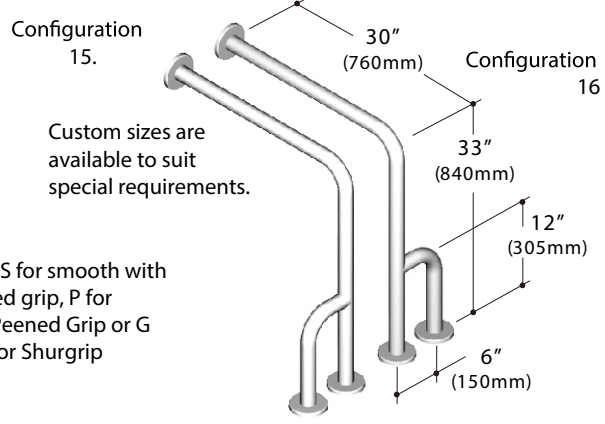
"Twist-Lock" Concealed Flange
(see technical page for detail)

SPECIFICATION: (Stainless Steel)
Wall to Floor Safety Rail with Outrigger and Twist-Lock concealed flanges. Manufactured by ELCOMA from 18 gauge, type 304, satin finished, stainless steel tubing. 14 gauge stainless steel mounting flange shall be Heliarc welded to the tube to form a single structural unit. Rail shall comply with all applicable federal, provincial and local building and safety codes.

- 1.25" (32 mm) rail dia. Model # 15-223330ST
- 1.50" (38 mm) rail dia. Model # 15-523330ST
- For opposite orientation substitute # 16

SPECIFICATION: (Painted Stainless Steel)
Wall to Floor Safety Rail with Outrigger and Twist-Lock concealed flange. Manufactured by ELCOMA from 18 gauge, Type 304, stainless steel tubing. 14 gauge stainless steel mounting flange shall be Heliarc welded to the tube to form a single structural unit. Rail shall have a polyester powder coating finish. It shall comply with all applicable federal, provincial and local building and safety codes.

- 1.25" (32 mm) rail dia. White Model # 15-263330ST01 (substitute S for smooth with G for SHUR-GRIP)
- 1.25" (32 mm) rail dia. Almond Model # 15-263330ST02
- 1.50" (38 mm) rail dia. White Model # 15-563330ST01
- 1.50" (38 mm) rail dia. Almond Model # 15-563330ST02
- For opposite orientation substitute # 16



Twist-Lock "T" Concealed Flange

