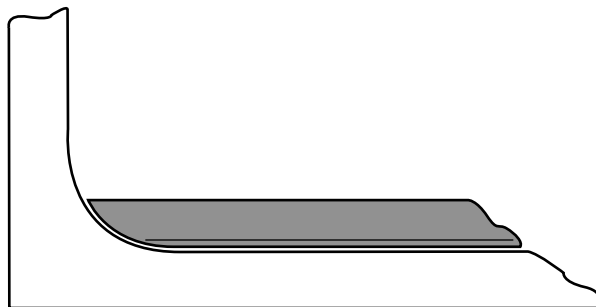
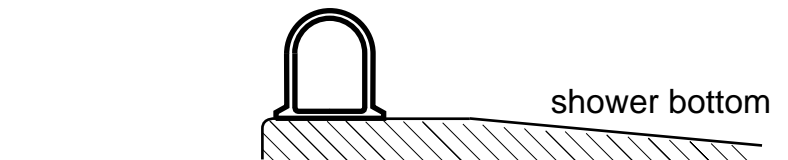
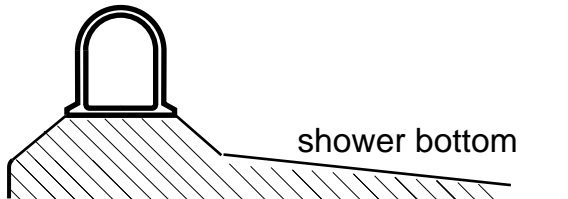


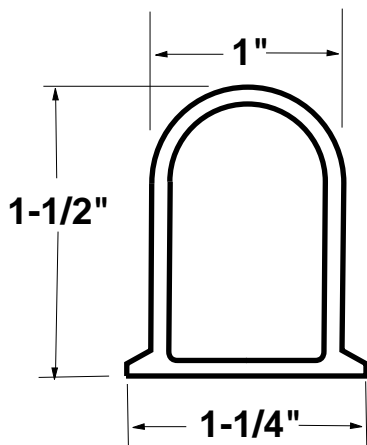
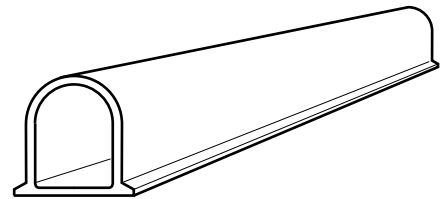
"The solution to wet floors"

Collapsible Water Retainer

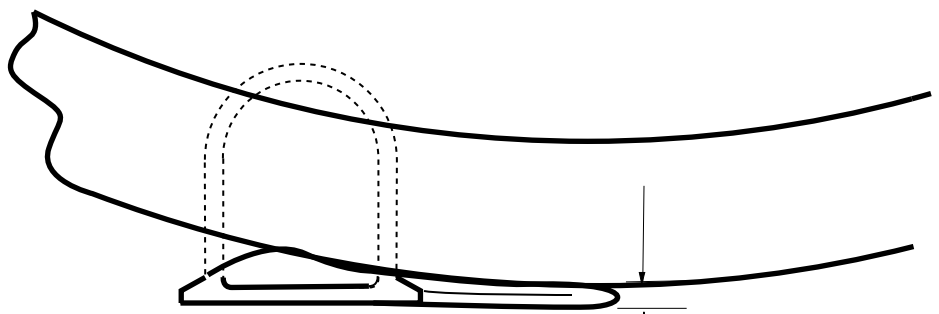
- Material: Rubber, 50 Durometer
- Dimensions: Will fit on any Access ADA or Barrier Free model offered
- Available for other brands
- Installation: glue and silicone



Front view



Cross section
Scale 1:1



Flattens under wheelchair

model # NWR

For retrofit field installation in multiples order 10 ft. lengths and cut to fit.