

RP4834B12B

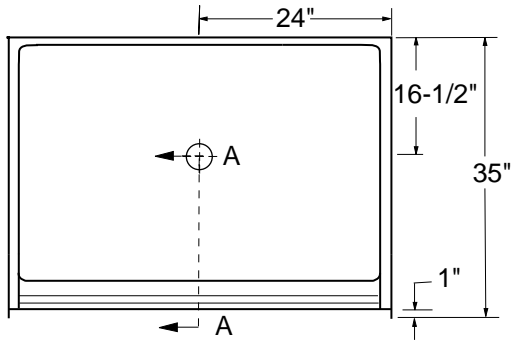
Old# RP-4834BF1.25



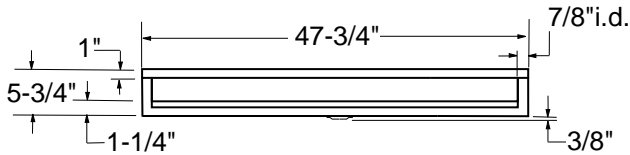
BARRIER FREE

FEATURES

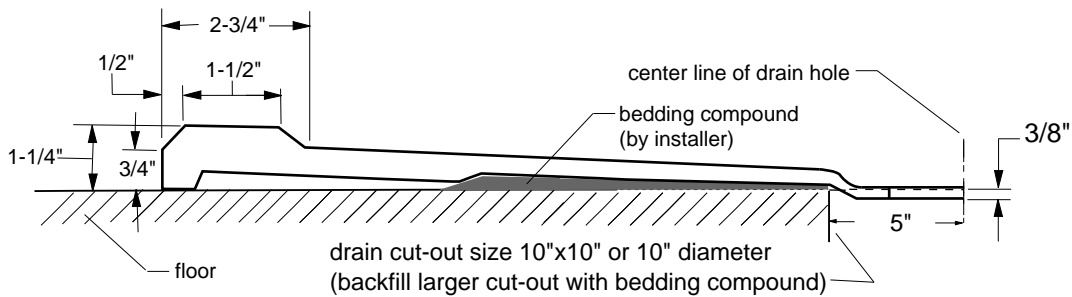
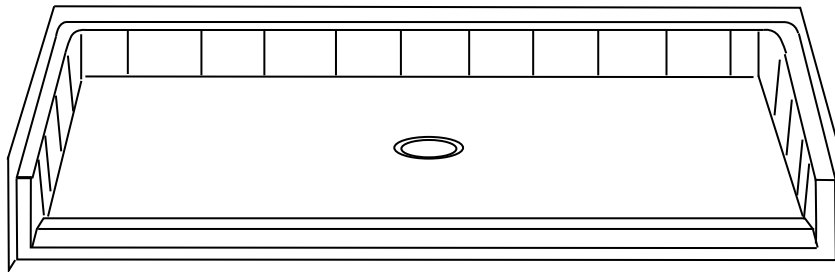
- Fiberglass shower pan with low threshold
- 1/2" water retainer keeps water inside
- Luxurious Gelcoat finish in numerous colors
- 14 Granite colors available



PLAN



ELEVATION



SECTION A-A



BARRIER FREE ARCHITECTURALS INC. 1-877-717-7027 www.barrierfree.org	TITLE : Shower Pan, RealTile, Barrier Free MODEL : RP4834B12B	SCALE : 1/2"=1'0" SHT. 1 of 4
---	--	----------------------------------