

# LDS7347A1T

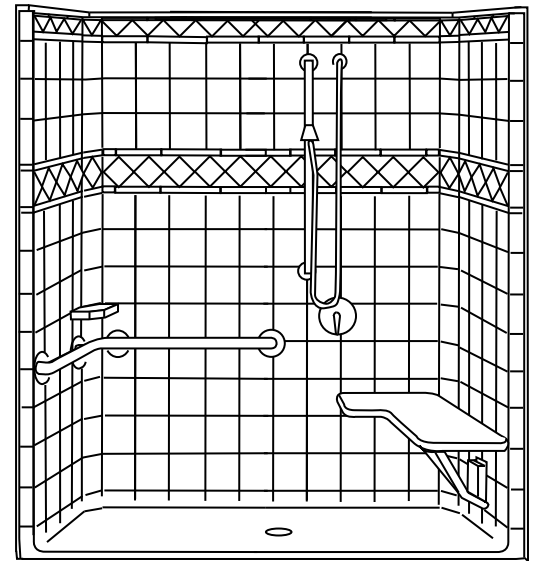
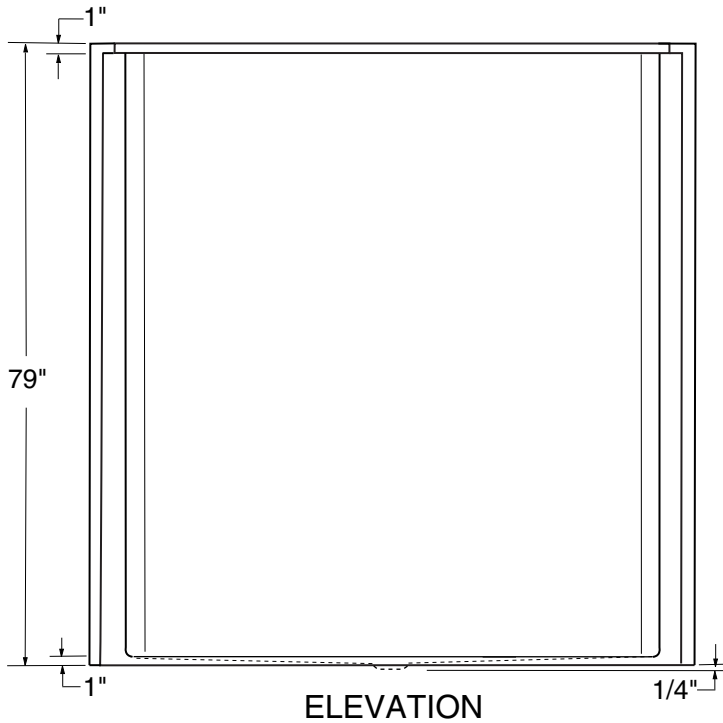
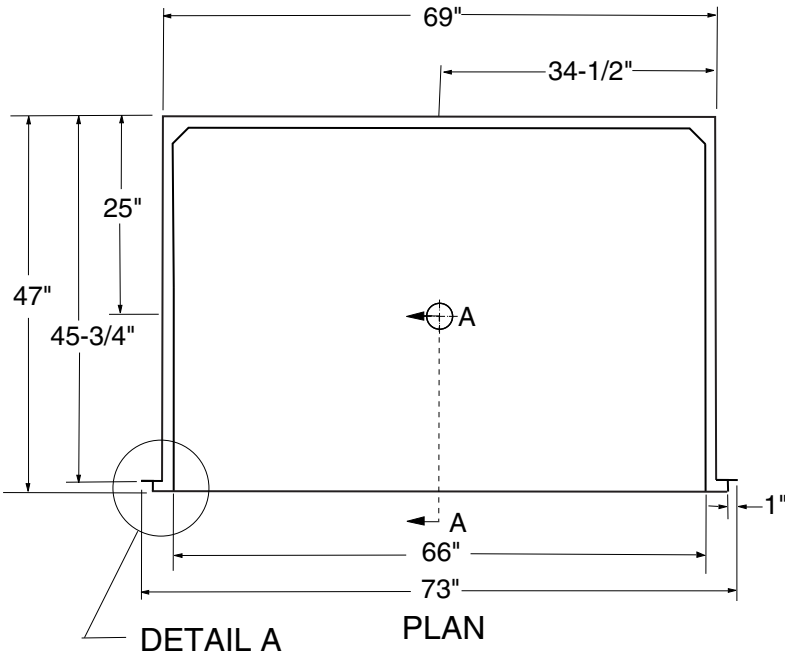
(Old# LDS-7347ADA1T R/L)



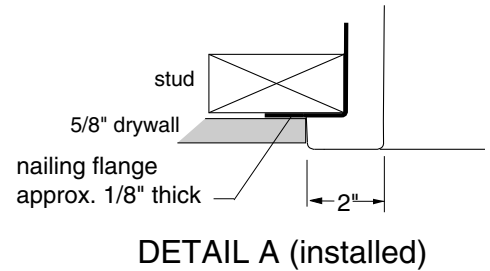
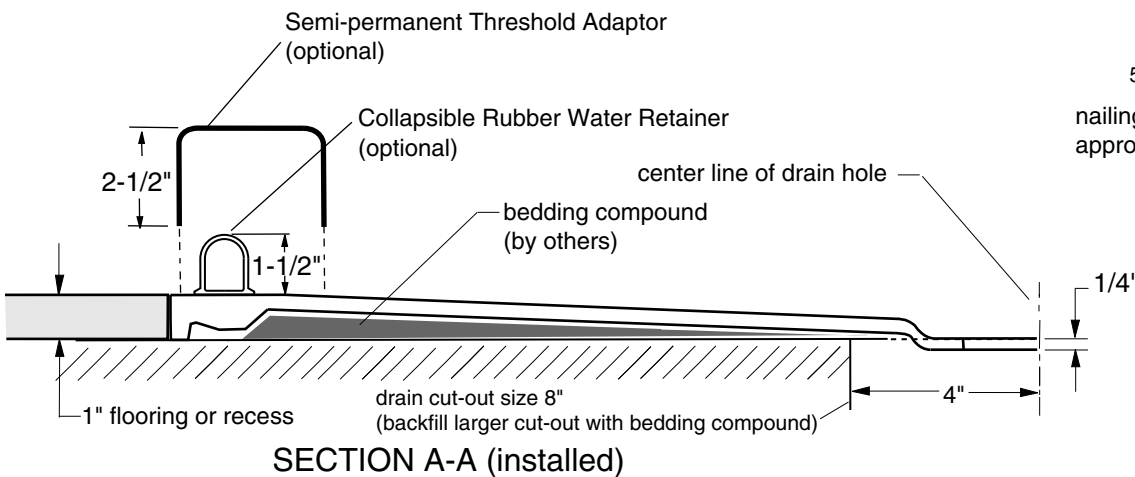
ADA COMPLIANT

## DESCRIPTION

- One piece fiberglass showerstall
- Complies with ADA minimum inside dimensions of 60"x30" for roll-in showers
- 1/2" Tri-cell laminate core for wall stiffness
- Plywood backing for seat and grab bar
- Seat and/or grabbar as shown must be installed to meet ADA
- "Diamond Tile" look finish
- Luxurious polyester Gelcoat finish in solid colors and available Sprayable Solid Surface
- Accessories available:  
Other shower valve, matching soap dish, glide bar/hand shower, curtain and rod



Shown here as "Right hand seat/Right hand plumbing" model with optional fold-down seat, corner grab bar, soap dish, glide bar kit and valve.



BARRIER FREE ARCHITECTURALS INC.  
1-877-717-7027 www.barrierfree.org

TITLE : Showerstall, Diamond tile, A.D.A. compliant  
MODEL : LDS7347A1T

SCALE : 1/2"=1'0"  
SHT. 1 of 4