



division of Fiberglass Systems, Inc.  
4545 Enterprise Street Boise, ID 83705  
ph.: 800-727-9907 fax: 800-627-0929 www.best-bath.com

## Installation Instructions for 3 and 4-piece High Base Showers

INSTALLATION INSTRUCTIONS FOR MODEL#

**3CS3838A5T** \*(Also LPB)

**4SS5430B22B**

**4CS5430L42**

**4SS6030B22B**

**4LSS6037B17B** \*(Also LPB)

**4LSS6037B22B**

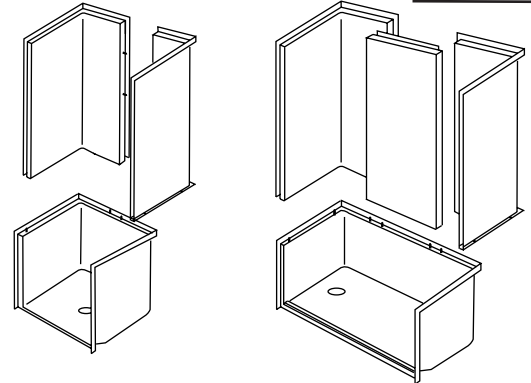
**4LSS6337A12T** \*(Also LPB)

**4LSS6337A2T**

**4LSS6337E12B** \*(Also LPB)

page 1 of 3

**4HBS**



### General information

These multi piece showers were designed for remodel situations.

Units are installed from the front, no access from behind is needed.

Indexing pins insure correct alignment of the sections.

If possible always try to install the unit so that the pan is sunken into the floor with the front edge flush with the floor. This allows the easiest possible access for the user.

### Installation:

See drawing on page 3

1. Framed-in area must be square and 1/8" -1/4" wider than unit to be installed and free of debris.
2. If you are replacing a tub then the drain plumbing will need to be adapted to fit the shower drain ( not included ) in such a manner as to meet Uniform Plumbing Code and any other applicable regulatory authority.
3. Make sure there are studs in the back wall so that the vertical flange of the side wall panels can be attached to these.  
Then run a horizontal 2x4 between these for attaching the back wall panel at the top horizontal nailing flange.

NOTE: If the shower has the optional "L"-grabbar and one flange is positioned on the center backwall panel, then another 2x4 needs to be installed between the studs for attachment of the grab bar flange.

The screws used here are 2 inch long. See drawing.

4. Place the pan in the opening, check that it sits level, pre-drill and screw the flanges to the studs at 8" intervals vertically.

For units with front dam/edge less than 1-1/2 inch please refer to supplemental "Installation Instructions for Showers with Low Profile Bottoms". document# BBI-10220-001

\*(Also LPB) indicates that in addition to these instructions, you also need to follow :

"Installation Instructions Showers with Low Profile Bottoms" (doc# 122002-001)



## Installation Instructions for 3 and 4-piece High Base Showers

continued

INSTALLATION INSTRUCTIONS FOR MODEL#

page 2 of 3

**4HBS**

5. Dry-fit all wall panels (first the side wall panels, back wall panel last) to make sure they line up with the studs when they fit together and to prepare any shim material needed to make all seams as tight as possible. When you are satisfied with the fit, pre-drill the flanges and studs in a few places for the permanent installation.

6. Remove the wall panels and prepare any plumbing that will not be accessible later and drill any needed holes for valves and shower head.

7. Apply a bead of caulk to the horizontal flange of the pan.

8. Place one side wall panel firmly down on the pan, and screw through their flanges into the studs. Horizontal attachment recommended at 16" intervals and vertical at 8".9. Place the second side wall panel in the same manner.

10. Apply the silicone caulk to the vertical flange in the corner of the side wall panel on the back wall (see drawing). Keep caulk to the rear of the seam, only a small bead is needed.

11. Install the back wall panel, the flange edges of this panel will seal into the caulk applied in #10. Any caulk that oozes out may be scraped off with a wet stick and a rag or sponge with soapy water so that none is visible.

You may also mask off to the edge of the panel to keep the silicone confined to the joint.

12. If the unit was supplied with a seat and /or grab bar these can now be installed.

Scuff marks can be removed with acetone and scratches caused in installation may be wet sanded out with 400 grit wet/dry sandpaper, then 600 and then buffed to gloss with any automotive or marine buffing compound.

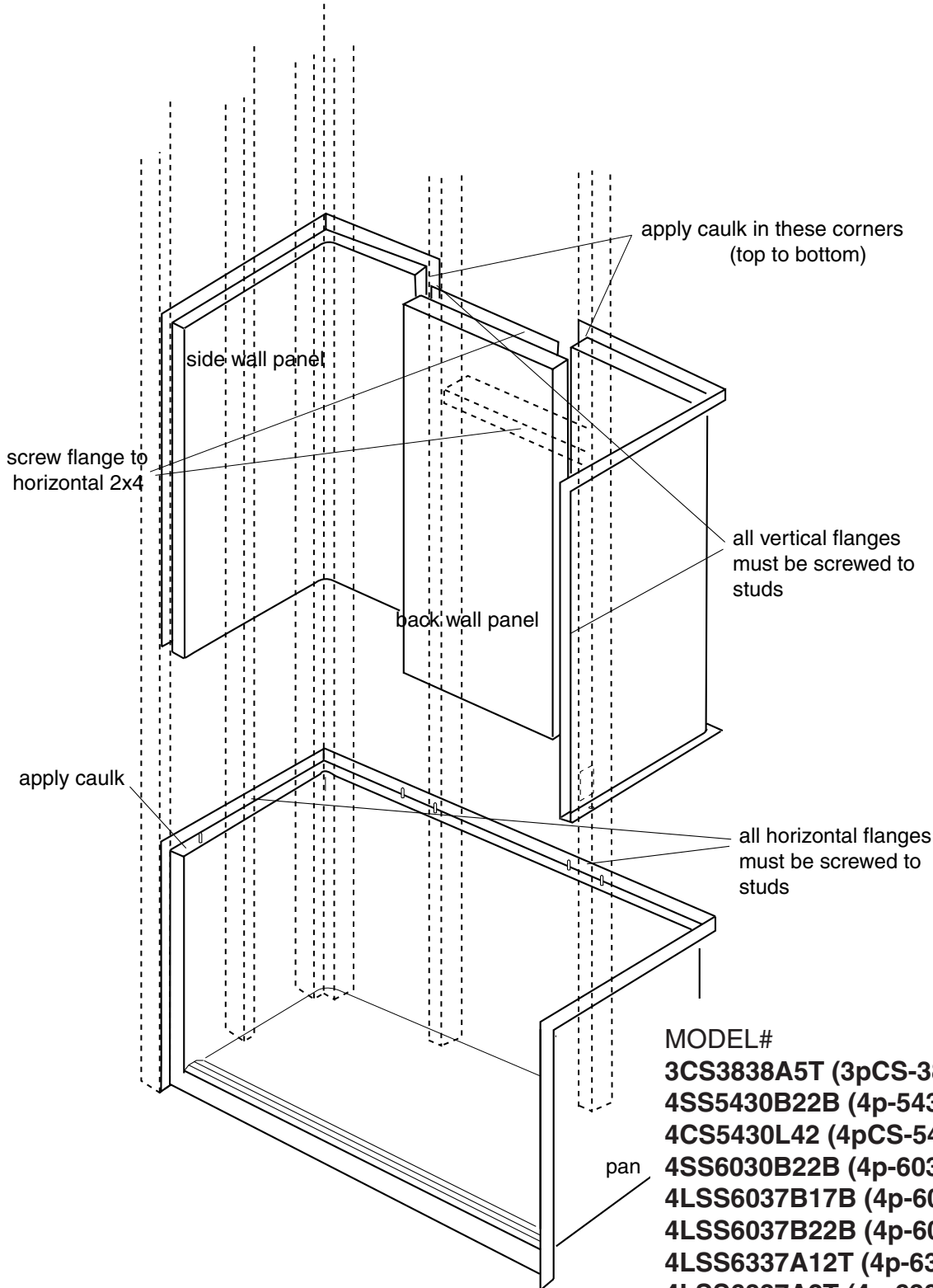
Cleaning and maintenance label may only be removed by the occupant.

A plastic scraper and then WD 40 or similar products for the glue residue work well for this.

continued

page 3 of 3

**4HBS**



**MODEL#**

- 3CS3838A5T (3pCS-3838ADA.5) \*(Also LPB)**
- 4SS5430B22B (4p-5430BF2.25)**
- 4CS5430L42 (4pCS-5430AL4.25)**
- 4SS6030B22B (4p-6030BF2.25)**
- 4LSS6037B17B (4p-6037BF1.75) \*(Also LPB)**
- 4LSS6037B22B (4p-6037BF2.25)**
- 4LSS6337A12T (4p-6337ADA1.25) \*(Also LPB)**
- 4LSS6337A2T (4p-6337ADA2)**
- 4LSS6337E12B (4p-6337ADA1.25TD) \*(Also LPB)**