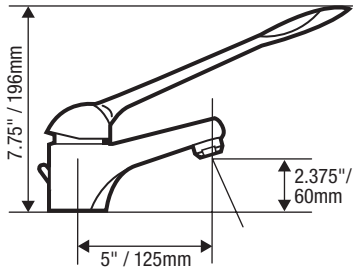


• FAUCETS

UNIVERSAL DESIGN / BARRIER FREE LEVER FAUCETS

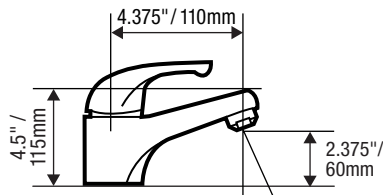
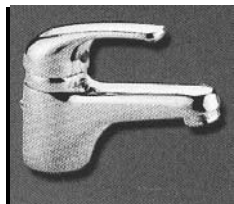
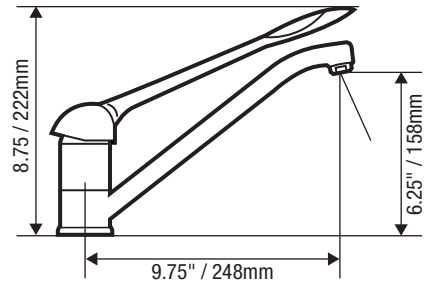


EXTENDED LEVER LAVATORY FAUCET

Extended lever lavatory faucet **Model M5420** by Barrier Free Architecturals (416 783 5331) constructed of chrome plated brass complete with ceramic disc cartridge aerator. Install with Barrier Free Architecturals Model M5801 Filterstop, chrome plated brass shutoffs.

EXTENDED LEVER KITCHEN FAUCET

Extended lever kitchen faucet **Model M5440** by Barrier Free Architecturals (416 783 5331) constructed of chrome plated brass complete with ceramic disc cartridge aerator. Install with Barrier Free Architecturals Model M5801 Filterstop, chrome plated brass shutoffs.

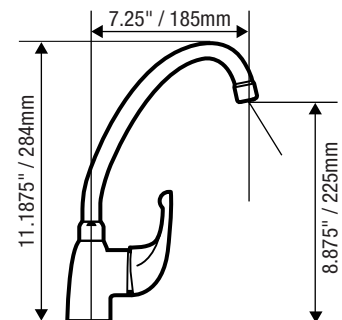
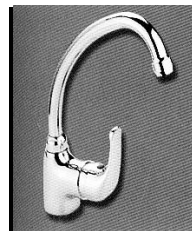


SINGLE LEVER LAVATORY FAUCET

Single lever faucet **Model M5460** by Barrier Free Architecturals (416 783 5331) constructed of chrome plated brass complete with ceramic disc cartridge aerator. Install with Barrier Free Architecturals Model M5801 Filterstop, chrome plated brass shutoffs.

SINGLE LEVER GOOSENECK FAUCET

Single lever gooseneck faucet **Model M5480** by Barrier Free Architecturals (416 783 5331) constructed of chrome plated brass complete with ceramic disc cartridge aerator. Install with Barrier Free Architecturals Model M5801 Filterstop, chrome plated brass shutoffs.



Visit our showroom at the BARRIER FREE LIVING CENTRE, 2700 Dufferin St. #24, Toronto ON Canada M6B 4J3



BARRIER FREE
ARCHITECTURALS INC.



Architectural Products for Barrier Free Living
Tel 416 783 5331 Fax 416 783 6505
Toll free 1 877 717 7027 e-mail info@barrierfree.org

web site
www.barrierfree.org