

# CS6332R12T

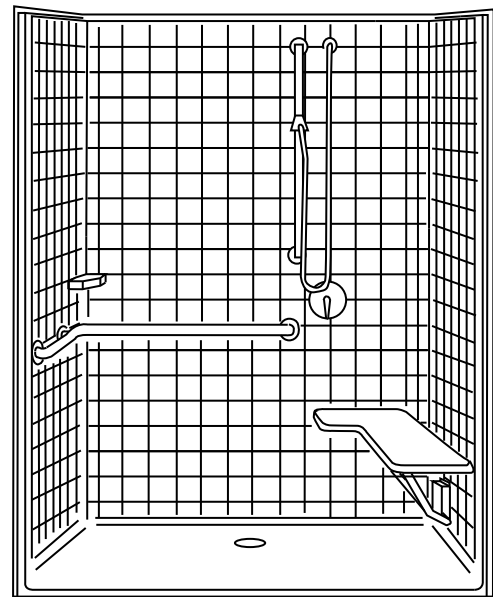
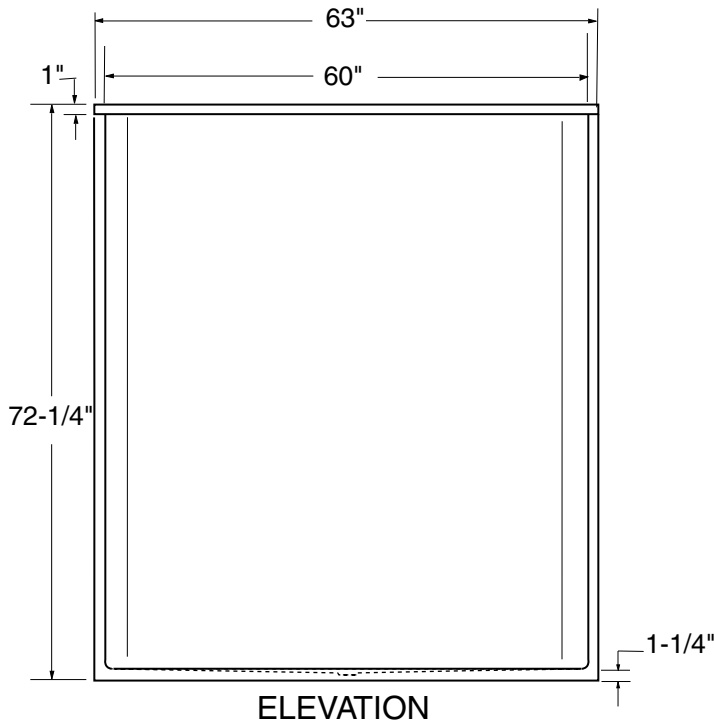
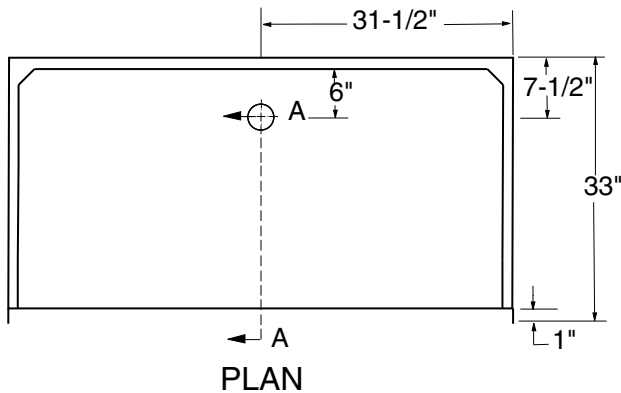
(old # CS-6332ADA1.25CA)



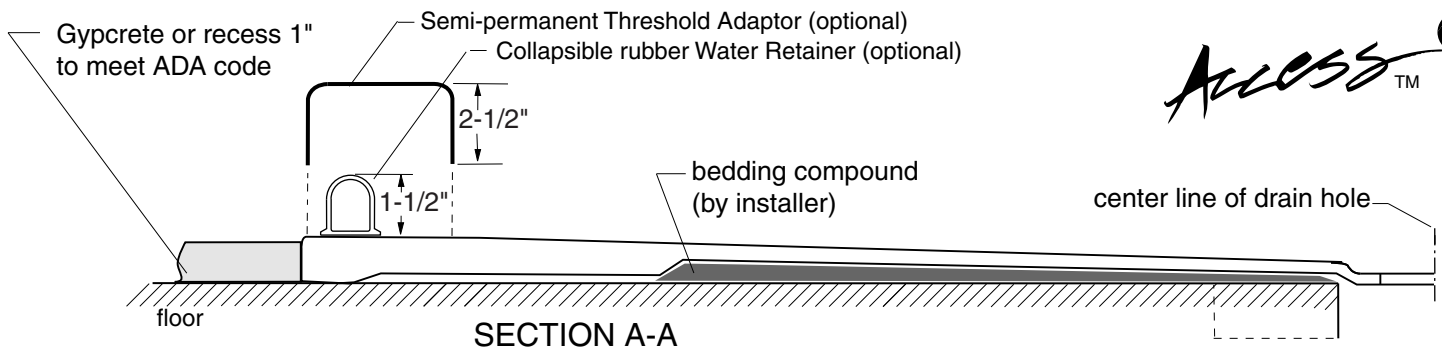
ADA COMPLIANT

## DESCRIPTION

- One piece fiberglass showerstall
- Complies with ADA minimum inside dimensions of 60"x30" for roll-in showers
- 1-1/4" threshold design allows for minimal need to recess for ADA compliance
- 1/2" Tri-cell laminate core for wall stiffnes
- Plywood backing for seat and grab bar
- Seat and/or grabbar as shown must be installed to meet ADA
- "Classic Tile" look finish
- Luxurious polyester Gelcoat finish in solid colors and available Sprayable Solid Surface
- Accessories available:  
shower valve, matching soap dish,  
glide bar/hand shower, curtain and rod



Shown here as "Right hand seat/Right hand plumbing" model with optional fold-down seat, corner grab bar, soap dish, glide bar kit and valve.



BARRIER FREE ARCHITECTURALS INC. 1-877-717-7027 www.barrierfree.org	TITLE : Roll-in Shower, classic tile, A.D.A. compliant MODEL : CS6332R12T	SCALE : 1/2"=1'0" SHT. 1 of 4
--	--	----------------------------------