

# • WALL CABINET LIFT 503



## DIAGONAL LIFT

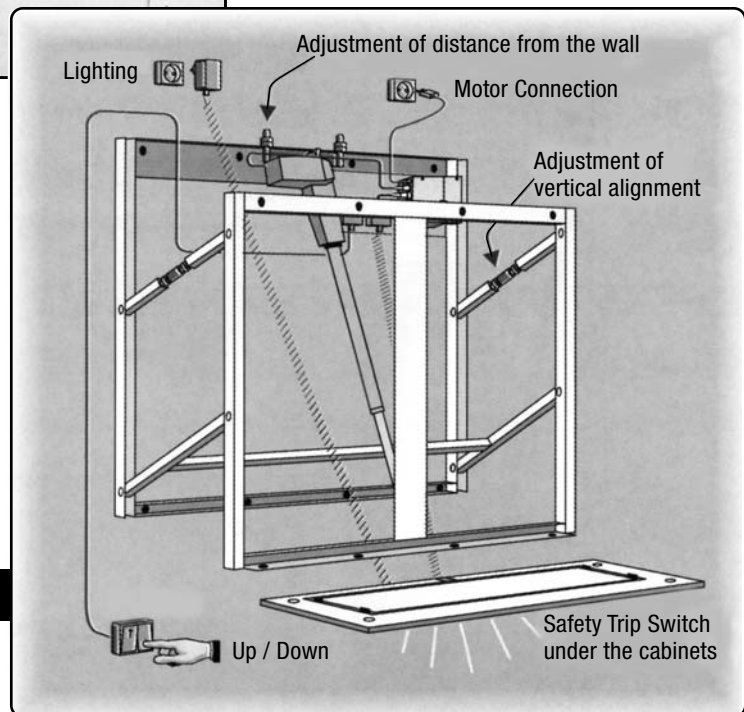
- For New and Existing Cabinets
- Stands out 9.5cm from the Wall
- 45cm of Lift Height
- Plug-in Type Electrical System
- Can be equipped with Lighting
- Reliable Safety System
- For Wall Cabinets 70cm or taller
- Adjustable Vertical Alignment
- Adjustable Distance from the Wall

One or more cabinets can be mounted on the lift.  
Select the applicable one from the table below –

Part Number	Width	for Maximum Cabinet Width
5030570	57cm	90cm
5030970	97cm	130cm
5031370	137cm	180cm

### Information your inquiry should contain:

- The Widths (outside dimensions) of cabinets to be lifted
- The Cabinet Height
- The Depth of the cabinet carcass. Measure from the wall outwards.
- Should worktop lighting be provided under the cabinets?



**BARRIER FREE**  
ARCHITECTURALS INC.

