

4LSS6337A12T

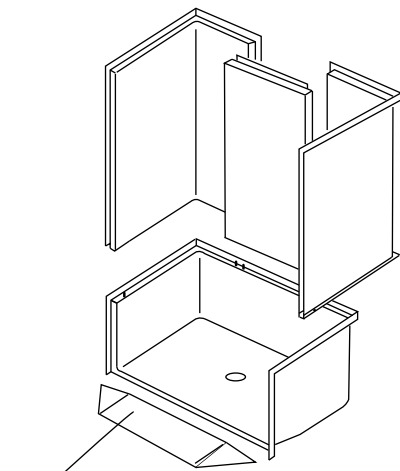
Old # (4p-6337AD1.25 R/L)



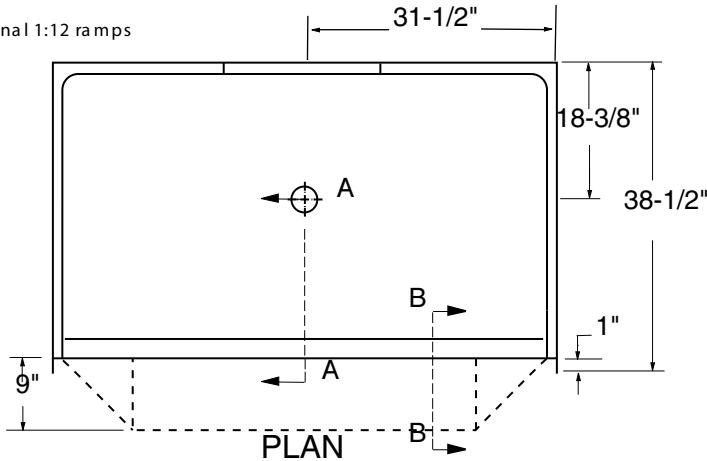
ADA COMPLIANT

DESCRIPTION

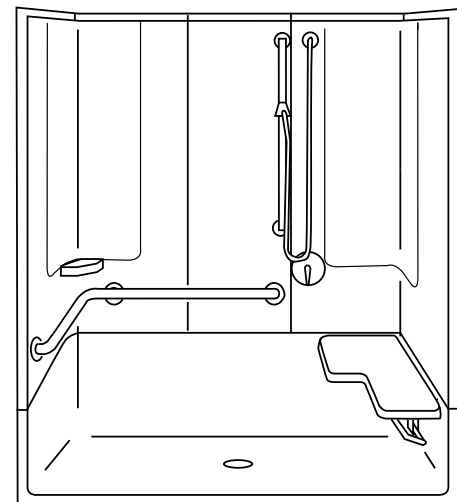
- 4-piece fiberglass showerstall smoothwall finish
- Complies with ADA minimum inside dimensions of 60"x30" for roll-in showers
- Sectional unit to allow for in-place assembly
- Front lip height of 1-1/4" allows for installation on top of the floor if used with the 9" ramp if existing building condition prohibit recessing
- Full plywood backing
- Seat and/or grab bar as shown must be installed to meet ADA
- Luxurious polyester Gelcoat finish in solid colors and available Sprayable Solid Surface
- Accessories available: shower valve, matching soap dish, glide bar/hand shower, curtain and rod



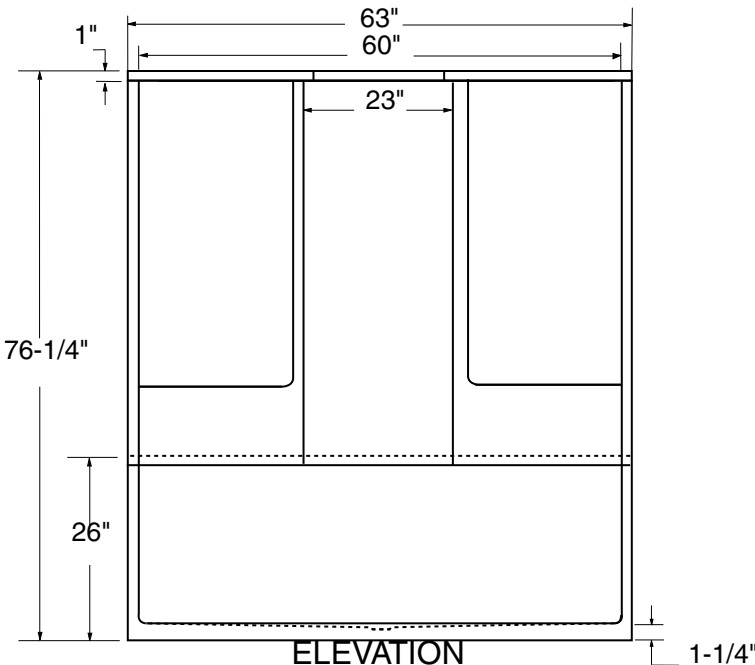
Optional 1:12 ramps



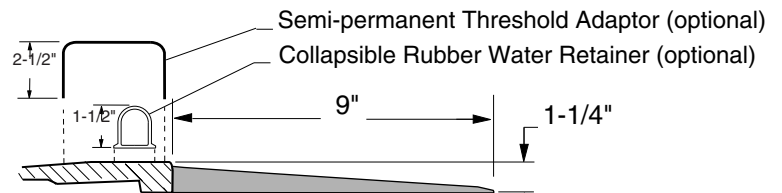
PLAN



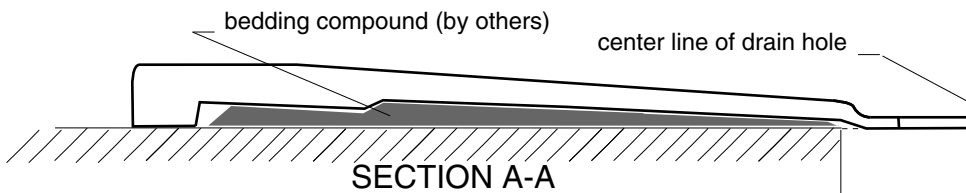
Shown here as Right hand seat/Right hand plumbing model with optional fold-down seat, corner grab bar, soap dish, glide bar kit and valve.



ELEVATION



Section B-B with optional 1:12 ramp model# RC-619
Note: Ramp allowed where "existing building conditions prohibit recessing showerstall".



SECTION A-A

