

3CS3838A5T

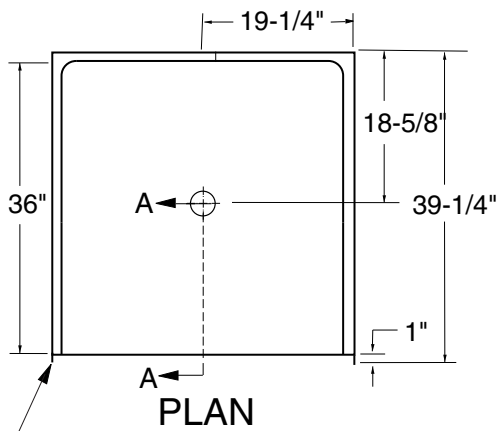
(old # 3pCS-3838ADA.5)



ADA COMPLIANT

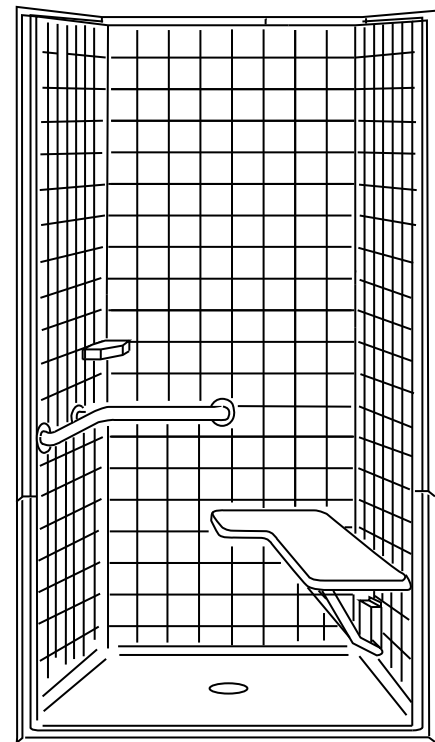
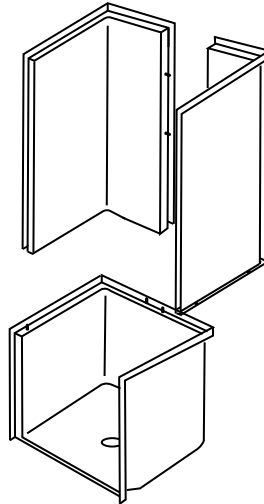
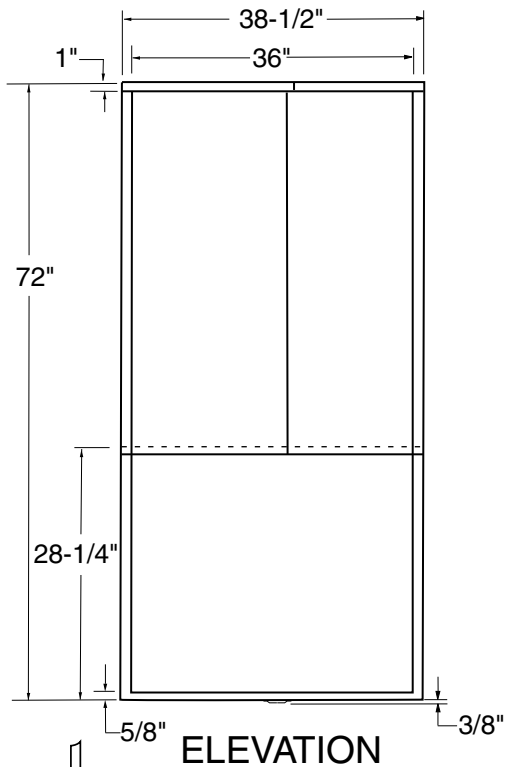
DESCRIPTION

- 3-piece fiberglass showerstall for compact shipping, storage, and easier retrofit installation
- Complies with ADA inside dimensions of 36"x36" for transfer showers
- 1/2" threshold design allows for installation on top of a floor, eliminating the need for recessing
- Full plywood backing
- Seat and grab bar as shown must be installed to meet ADA code
- "Classic Tile" look finish
- Luxurious polyester Gelcoat finish in solid colors and available Sprayable Solid Surface
- Accessories available: shower valve, seat, matching soap dish, glide bar/hand shower, curtain and rod

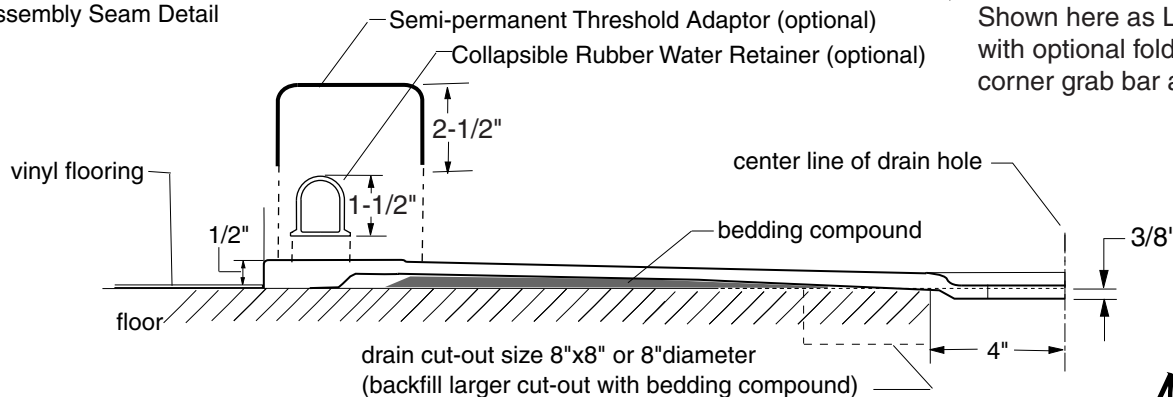
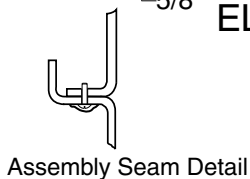


NOTE:

The nailing flange on the seat side may need to be trimmed to the minimum needed for fastening to limit the intrusion into the code required clear floor space to 1 inch.



Shown here as Left hand model with optional fold-down seat, corner grab bar and soap dish.



SECTION A-A



BARRIER FREE ARCHITECTURALS INC. 1-877-717-7027 www.barrierfree.org	TITLE : 3-piece transfer shower, classic tile, A.D.A. compliant MODEL: 3CS3838A5T	SCALE : 1/2"=1'0" SHT. 1 of 4
--	--	----------------------------------